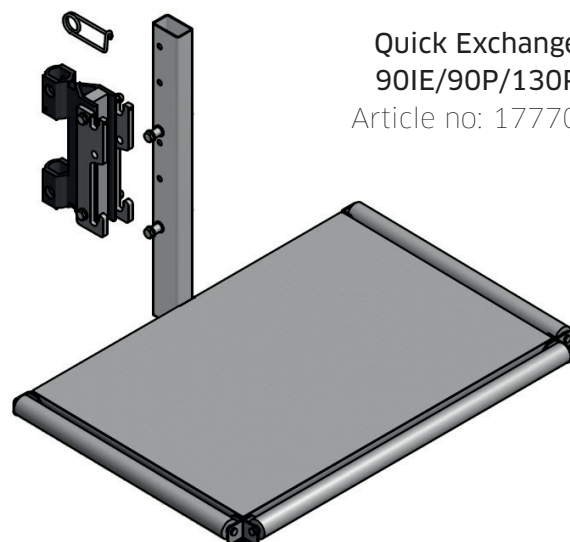


Quick Exchange to Lift&Drive trolleys

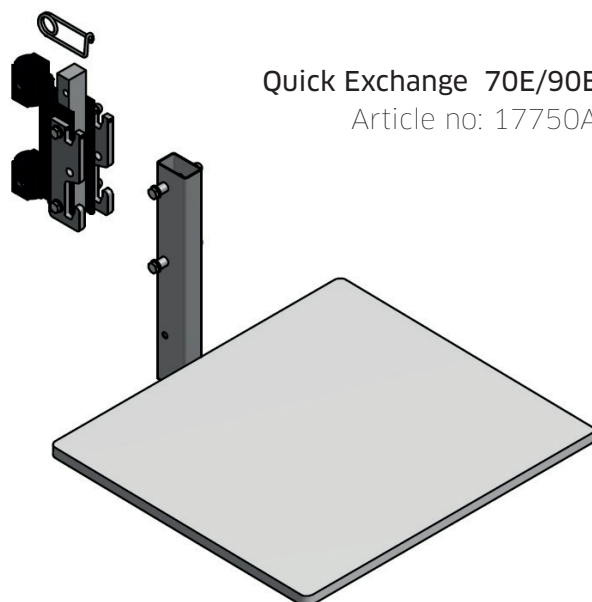
The Quick Exchange to the Lift&Drive trolleys and its lift attachments consists of two compatible brackets: one that is mounted on the slide and the other mounted on the lift attachment.

Mount the lift attachment on the slide by connecting the Quick Exchange and prevent it from moving around by using a simple locking mechanism to safely lock it into its position.

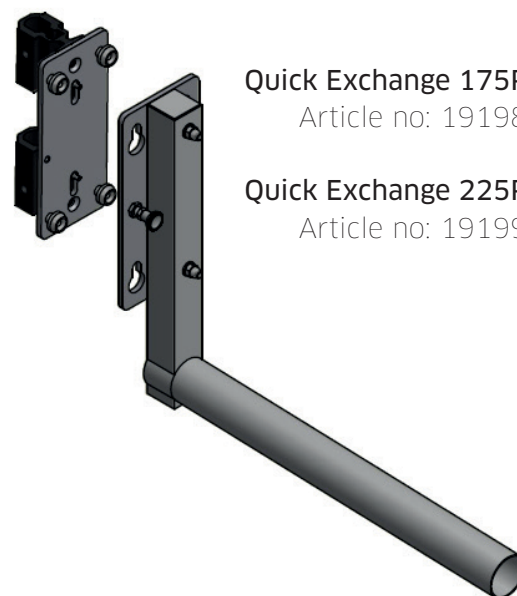
The removal of the lift attachment is done in reverse: use the locking mechanism to unlock and simply remove it. For rapid change between several lift attachments an additional bracket mounted on the intended lift attachment is required.



**Quick Exchange
90IE/90P/130P**
Article no: 17770



Quick Exchange 70E/90E
Article no: 17750A



Quick Exchange 175P
Article no: 19198

Quick Exchange 225P
Article no: 19199